

SANITARY WARE



WCs AND BIDETS



BOW 1



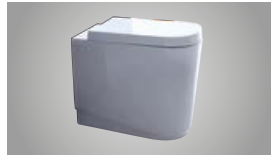
LOTUS 23



SWAN 37



DEA 5



LOTUS 25



SWAN 39



DEA 7



LOTUS 27



SWAN 41



DEA 9



MUSA 29



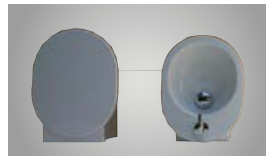
SWAN 43



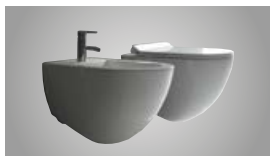
HEALTH 11



MUSA 31



SWAN 45



LAP 15



MUSA 33



SWAN 47



LOTUS 21



MUSA 35



SWAN 49

SHOWER TRAYS



ARCOS 51



NOOK 63



ÉTAGE 53



PLATO' 65



GEOMETRICAL 55



QUAD 67



GLISSER 59



WATERFALL 69



MAJOR 61



LIFESTONE 73

BATHTUBS



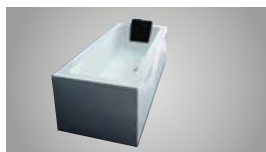
AURA 77



DEA 79



KAMI 81



SINTESI 83



WCs AND BIDETS

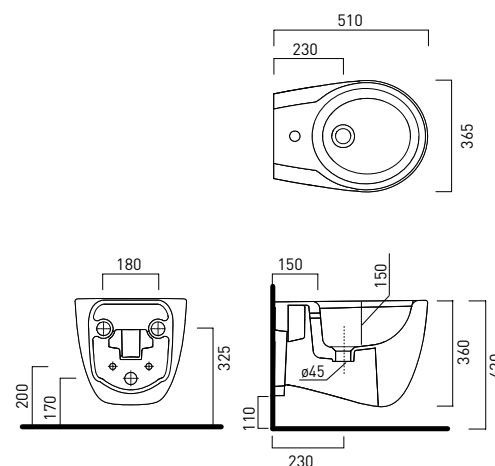
BOW

Wall-mounted and floor-standing sanitary ware in white and matt white ceramic

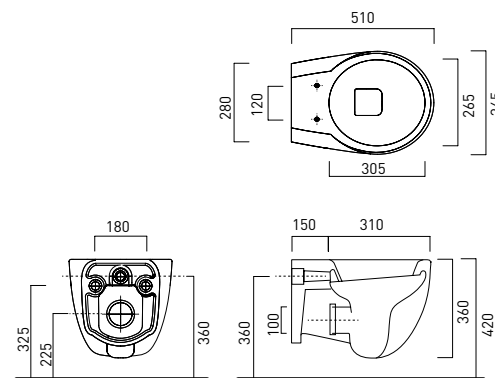


03.2018

Wall-mounted bidet. Fixing included.					
	W	D	H	Code	Colour
Single hole	36.5	51	36	32005105	White Ceramic
Single hole	36.5	51	36	32005106	Matt White Ceramic



Wall-mounted WC. Fixing included.				
W	D	H	Code	Colour
36.5	51	36	32005103	White Ceramic
36.5	51	36	32005104	Matt White Ceramic



Enveloping WC lid in thermo-hardening material.	
Code	Colour
32005111	White
32005112	Matt White

Enveloping WC lid in thermo-hardening material, hinge with slow-closing device.	
Code	Colour
32005113	White
32005114	Matt White



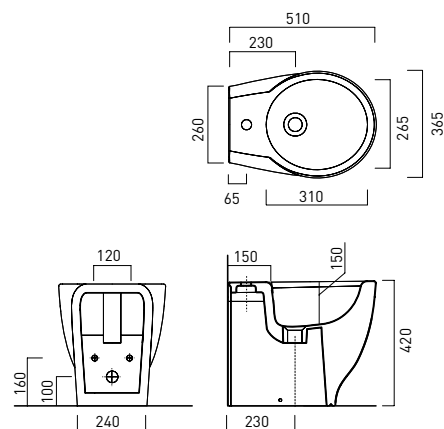
Connection for wall drain.	
Code 32000467	



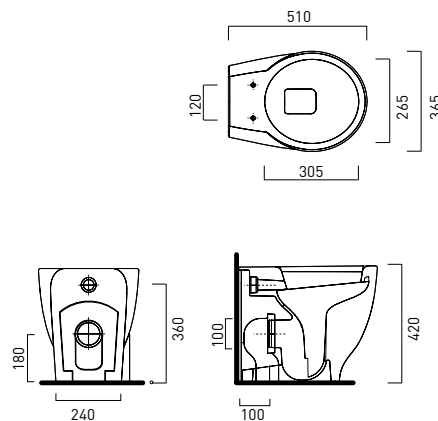
Fixing bracket for wall-mounted WC and bidet.	
Code 32000466	



Floor-standing bidet.					
	W	D	H	Code	Colour
Single hole	36.5	51	42	32005109	White Ceramic
Single hole	36.5	51	42	32005110	Matt White Ceramic



Floor-standing WC with "F/W" universal drain, which can be adapted using a technical elbow (not included). Fixing included					
W	D	H	Code	Colour	
36.5	51	42	32005107	White Ceramic	
36.5	51	42	32005108	Matt White Ceramic	



Enveloping WC lid in thermo-hardening material.	
Code	Colour
32005111	White
32005112	Matt White



Enveloping WC lid in thermo-hardening material, hinge with slow-closing device.	
Code	Colour
32005113	White
32005114	Matt White

Connection for wall drain.	
Code 32000467	



Technical "S" elbow for floor drain. With fixing kit.	
Code 32000469	



DEA

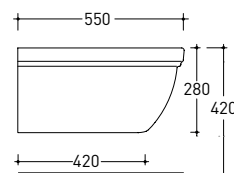
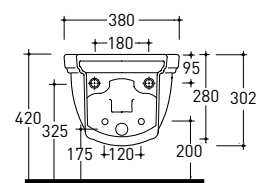
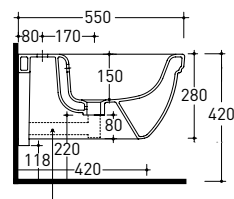
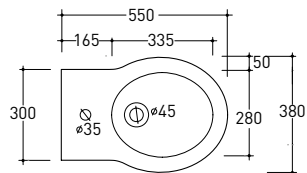
Wall-mounted sanitary ware in black or white ceramic



03.2018

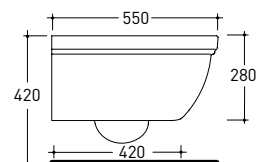
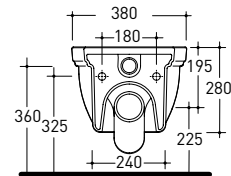
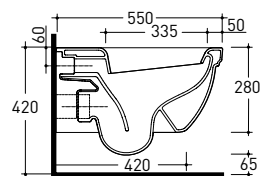
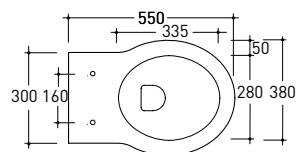
Wall-mounted bidet. Fixing included.
Available with golden, bronzed or chrome-finish overflow ring nut, upon request.

	W	D	H	Code	Colour
Single hole	38	55	28	32002634	White Ceramic
Single hole	38	55	28	32002635	Black ceramic



Wall-mounted WC. Fixing included.

W	D	H	Code	Colour
38	55	42	32002336	White Ceramic
38	55	42	32002337	Black ceramic



Wood/white polyester WC lid, chrome hinges.

Code 32002346



Wood/black polyester WC lid, chrome hinges.

Code 32002347



Solid wood WC lid, dark oak finish, chrome hinges.

Code 32002348



Connection for wall drain.

Code 32000467



Fixing bracket for wall-mounted WC and bidet.

Code 32000466



DEA

DEA

Floor-standing back-to-wall sanitary ware in black or white ceramic



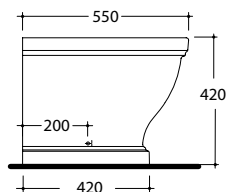
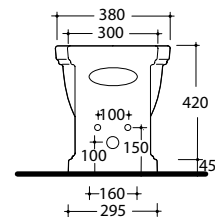
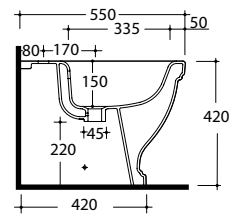
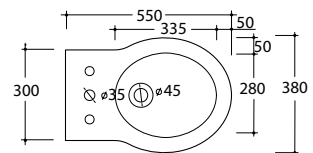
03.2018

Floor-standing bidet. Fixing included.
Available with golden, bronzed or chrome-finish overflow ring nut, upon request.

	W	D	H	Code	Colour
Single hole	38	55	42	32002636	White Ceramic
Single hole	38	55	42	32002637	Black ceramic
Three holes	38	55	42	32002638	White Ceramic
Three holes	38	55	42	32002639	Black ceramic

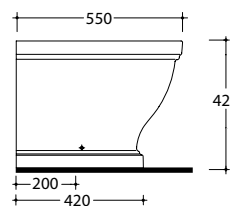
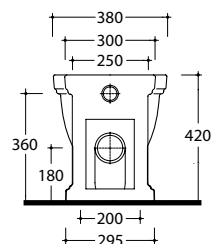
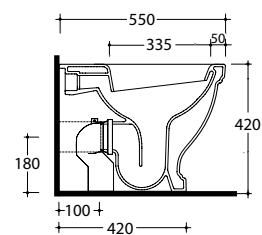
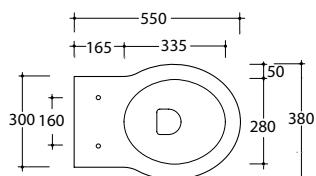


The floor-standing bidet with three tap holes does not allow water to flow from the ceramic. This must occur via the mixer



Floor-standing WC with universal drain. Fixing included.

W	D	H	Code	Colour
38	55	42	32002340	White Ceramic
38	55	42	32002341	Black ceramic



Wood/white polyester WC lid, chrome hinges.

Code 32002346



Wood/black polyester WC lid, chrome hinges.

Code 32002347



Solid wood WC lid, dark oak finish, chrome hinges.

Code 32002348



Technical "S" elbow for floor drain.
With fixing kit.

Code 32000469



DEA

Floor-standing sanitary ware in white ceramic



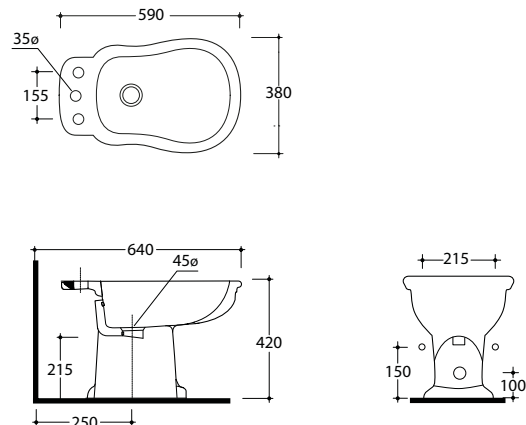
03.2018

SCAVOLINI

9

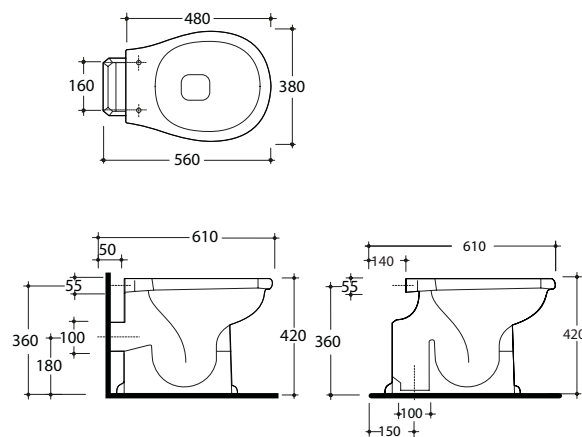
Floor-standing bidet. Fixing included.
Available with golden, bronzed or chrome-finish overflow ring nut, upon request.

	W	D	H	Code	Colour
Single hole	38	59	42	32002640	White Ceramic
Three holes	38	59	42	32002641	White Ceramic



Floor-standing WC with "F/W" universal drain, which can be adapted using a technical elbow (not included).

W	D	H	Code	Colour	
38	56	42	32002349	White Ceramic	"F" drain
38	56	42	32002350	White Ceramic	"W" drain



Wood/white polyester WC lid, chrome hinges.

Code 32002353

Wood/white polyester WC lid, gold hinges.

Code 32002354



Wood/black polyester WC lid, chrome hinges.

Code 32002355



Fine, walnut coloured wood WC lid, chrome hinges.

Code 32002357

Fine, walnut coloured wood WC lid, gold hinges.

Code 32002356



Connection for wall drain.

Code 32000467



HEALTH

HEALTH

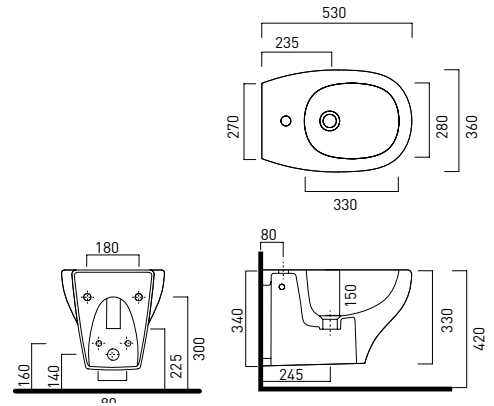
Wall-mounted and floor-standing sanitary ware in white and matt white ceramic



03.2018

Wall-mounted bidet. Fixing included.

	W	D	H	Code	Colour
Single hole	36	53	34	32005117	White Ceramic

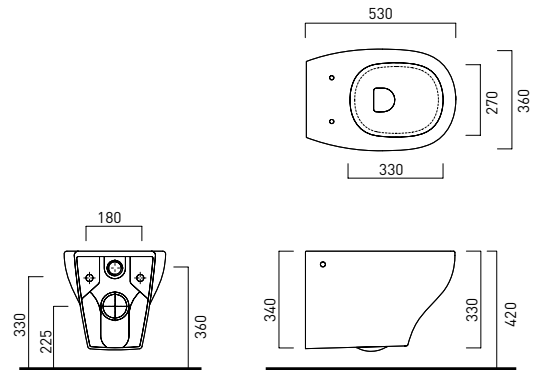


Wall-mounted WC. Fixing included.

W	D	H	Code	Colour
36	53	33	32005115	White Ceramic

Wall-mounted RIMLESS WC. Fixing included.

W	D	H	Code	Colour
36	53	33	32005116	White Ceramic



Enveloping WC lid in thermo-hardening material.

Code 32005120

Enveloping WC lid in thermo-hardening material, hinge with slow-closing device.

Code 32005121



Connection for wall drain.

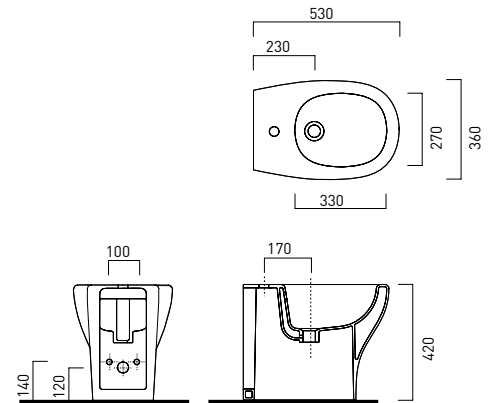
Code 32000467



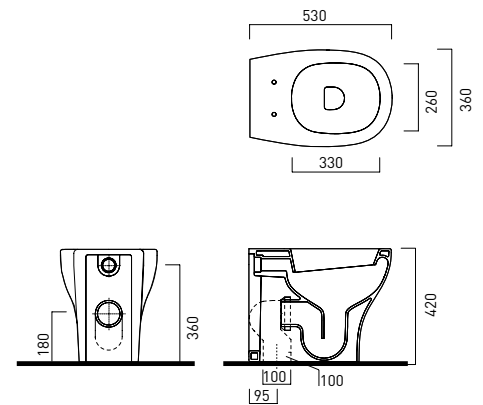
Fixing bracket for wall-mounted WC and bidet.

Code 32000466

Floor-standing bidet. Fixing included.					
	W	D	H	Code	Colour
Single hole	36	53	42	32005119	White Ceramic



Floor-standing WC with "F/W" universal drain, which can be adapted using a technical elbow (not included). Fixing included.					
W	D	H	Code	Colour	
36	53	42	32005118	White Ceramic	"F/W" drain



Enveloping WC lid in thermo-hardening material.
Code 32005120

Enveloping WC lid in thermo-hardening material, hinge with slow-closing device.
Code 32005121



Connection for wall drain.
Code 32000467

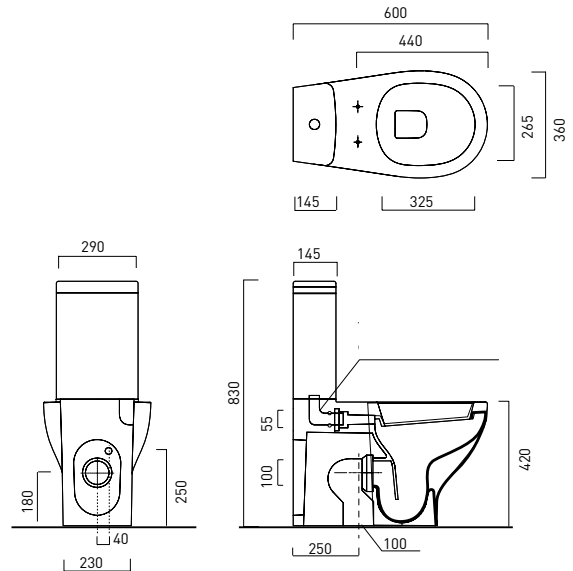


Technical "S" elbow for floor drain. With fixing kit.
Code 32000469

Monobloc WC with "F/W" universal drain 60 cm, which can be adapted using a technical elbow (not included). Fixing included.

W	D	H	Code	Colour
36	60	42	32005142	White Ceramic

The WC comes complete with white ceramic flush tank measuring 29 x 14.5 x H.41 cm and anti-condensation inner plastic flush tank with type G basic dual-flow drain mechanism. Water inlet at the bottom.



Enveloping WC lid in thermo-hardening material.
Code 32005120

Enveloping WC lid in thermo-hardening material, hinge with slow-closing device.
Code 32005121



Connection for wall drain.
Code 32000467

Technical "S" elbow for floor drain. With fixing kit.
Code 32000469



LAP

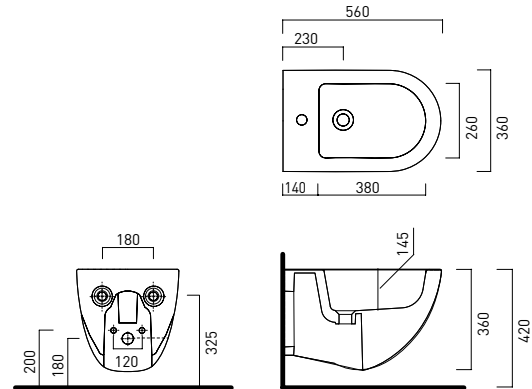
Wall-mounted and floor-standing sanitary ware in white and matt white ceramic



03.2018

Wall-mounted bidet. Fixing included.

	W	D	H	Code	Colour
Single hole	36	56	36	32005091	White Ceramic
Single hole	36	56	36	32005092	Matt White Ceramic

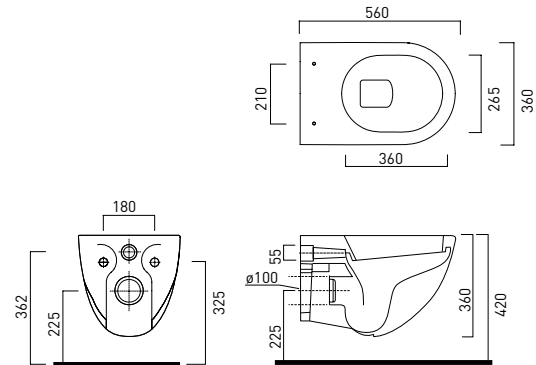


Wall-mounted WC. Fixing included.

W	D	H	Code	Colour
56	36	36	32005087	White Ceramic
56	36	36	32005088	Matt White Ceramic

Wall-mounted RIMLESS WC. Fixing included.

W	D	H	Code	Colour
36	56	36	32005089	White Ceramic
36	56	36	32005090	Matt White Ceramic



Extra slim thermo-hardening material WC lid.

Code 32005100

WC lid in extra slim thermo-hardening material, hinge with slow-closing device. Quick detachment device.

Code	Colour
32005101	White
32005102	Matt White



Connection for wall drain.

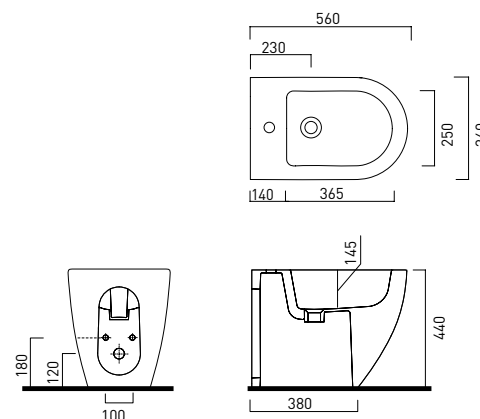
Code 32000467



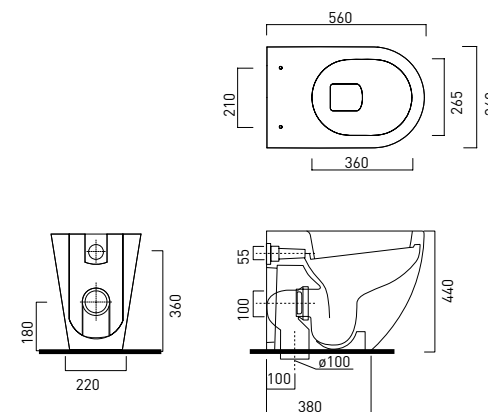
Fixing bracket for wall-mounted WC and bidet.

Code 32000466

Floor-standing bidet.					
	W	D	H	Code	Colour
Single hole	56	36	44	32005095	White Ceramic
Single hole	56	36	44	32005096	Matt White Ceramic



Floor-standing WC with "F/W" universal drain, which can be adapted using a technical elbow (not included). Fixing included					
W	D	H	Code	Colour	
36	56	44	32005093	White Ceramic	"F/W" drain
36	56	44	32005094	Matt White Ceramic	"F/W" drain



Extra slim thermo-hardening material WC lid.
Code 32005100

WC lid in extra slim thermo-hardening material, hinge with slow-closing device. Quick detachment device.	
Code	Colour
32005101	White
32005102	Matt White



Connection for wall drain.
Code 32000467

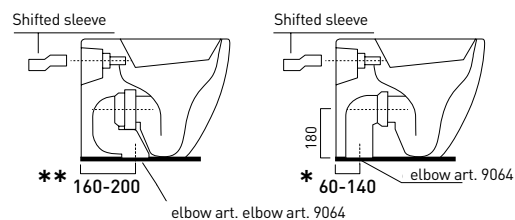
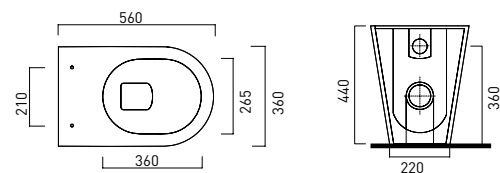


Technical "S" elbow for floor drain. With fixing kit.	
Code 32000469	

Shifted WC: a new technical solution to facilitate refurbishment work.

WC with shifted drain, which can be adapted using a technical elbow (not included). Fixing included.

W	D	H	Code	Colour
36	56	44	32005097	White Ceramic



Extra slim thermo-hardening material WC lid.

Code 32005100

WC lid in extra slim thermo-hardening material, hinge with slow-closing device. Quick detachment device.

Code	Colour
32005101	White
32005102	Matt White



Shifted sleeve to change the height of the water inlet (36-34 cm).

Code 32005191



* Technical floor drain elbow adjustable from 6 cm to 14 cm.

Code 32000468



** Technical floor drain elbow adjustable from 16 cm to 20 cm.

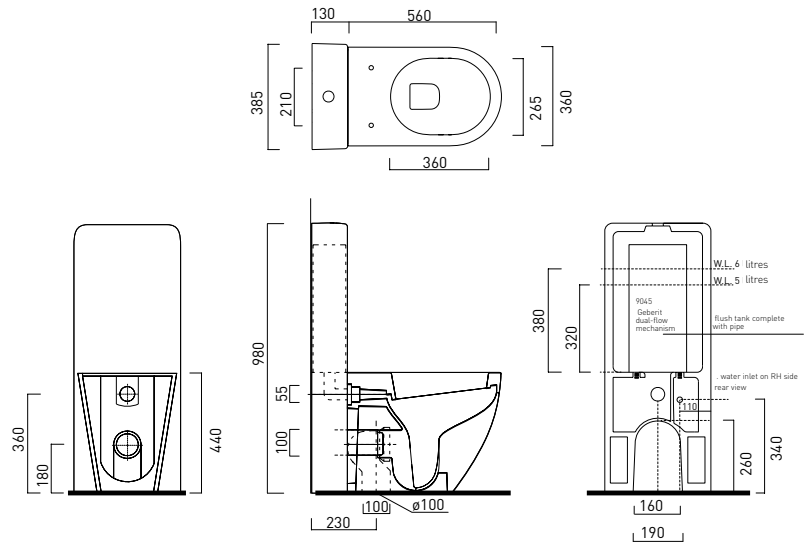
Code 3200470

Shifted WC: a new technical solution to facilitate refurbishment work.

WC with F/W universal drain, which can be adapted using a technical elbow.
Fixing included.

W	D	H	Code	Colour
36	56	44	32005141	White Ceramic

The WC comes complete with monolith flush tank in white ceramic with dual-flow system anti-condensation inner plastic flush tank measuring 38.5x13xH.98 cm..



Extra slim thermo-hardening material WC lid.

Code 32005100

WC lid in extra slim thermo-hardening material, hinge with slow-closing device. Quick detachment device.

Code	Colour
32005101	White
32005102	Matt White



Connection for wall drain.

Code 32000469



Technical "S" elbow for floor drain.
With fixing kit.

Code 32000467





LOTUS

LOTUS

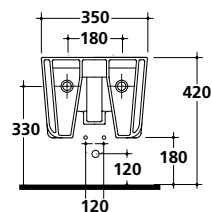
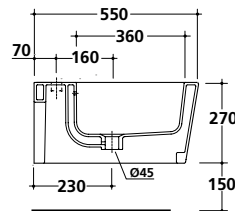
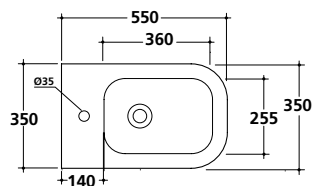
Wall-mounted sanitary ware in white and matt white ceramic



03.2018

Wall-mounted single hole bidet. Fixing included.
Available with golden, bronzed or chrome-finish overflow ring nut, upon request.

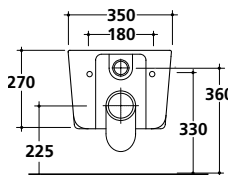
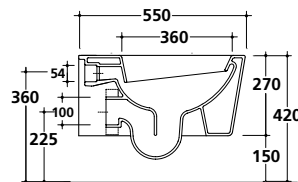
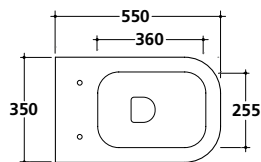
W	D	H	Code	Colour
35	55	27	32002768	White Ceramic
35	55	27	32002769	Matt White Ceramic



Rear view

Wall-mounted WC. Fixing included.
Available with golden, bronzed or chrome-finish overflow ring nut, upon request.

W	D	H	Code	Colour
35	55	27	32000432	White Ceramic
35	55	27	32000433	Matt White Ceramic



Rear view



Enveloping WC lid in thermo-hardening material.

Code 32000442	white
Code 32000444	matt white

Enveloping WC lid in thermo-hardening material, hinge with slow-closing device.

Code 32000443	white
Code 32000445	matt white



Connection for wall drain.

Code 32000467



Fixing bracket for wall-mounted WC and bidet.

Code 32000466



LOTUS

LOTUS

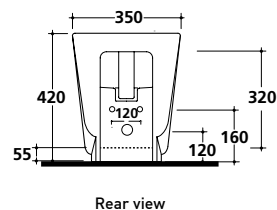
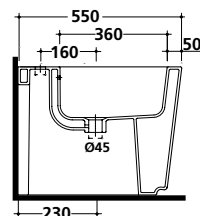
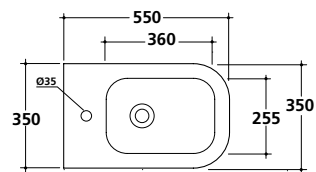
Floor-standing back-to-wall sanitary ware in white and matt white ceramic



03.2018

Single hole bidet. Fixing included.
Available with golden, bronzed or chrome-finish overflow ring nut, upon request.

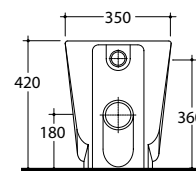
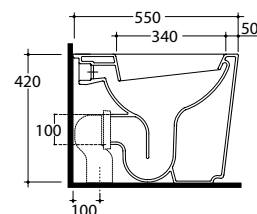
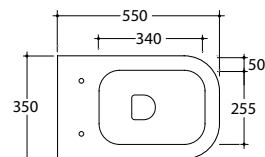
W	D	H	Code	Colour
35	55	42	32002770	White Ceramic
35	55	42	32002771	Matt White Ceramic



Rear view

WC with "F/W" universal drain, which can be adapted using a technical elbow (not included). Fixing included.

W	D	H	Code	Colour
35	55	42	32000436	White Ceramic
35	55	42	32000437	Matt White Ceramic



Rear view



Enveloping WC lid in thermo-hardening material.

Code 32000442	white
Code 32000444	matt white

Enveloping WC lid in thermo-hardening material, hinge with slow-closing device.

Code 32000443	white
Code 32000445	matt white



Connection for wall drain.

Code 32000467



Technical "S" elbow for floor drain.
With fixing kit

Code 32000469



LOTUS

LOTUS

Floor-standing back-to-wall sanitary ware in white ceramic



03.2018

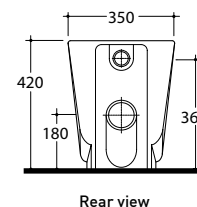
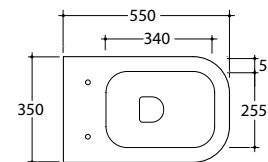
SCAVOLINI

25

Shifted WC: a new technical solution to facilitate refurbishment work.

WC with "F/W" universal drain, which can be adapted using a technical elbow (not included). Fixing included.

W	D	H	Code	Colour
35	55	42	32000438	White Ceramic



Technical floor drain "S" elbow adjustable from 6 cm to 14 cm.

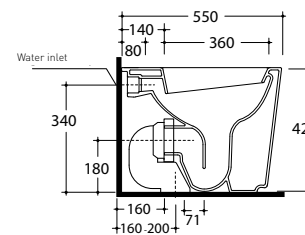
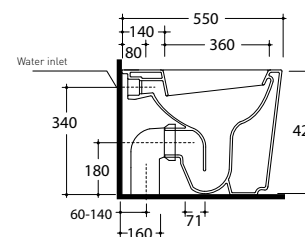
Code 32000468

Technical floor drain "S" elbow adjustable from 16 cm to 20 cm.

Code 32000470



Range between 60 mm and 200 mm



Enveloping WC lid in thermo-hardening material.

Code 32000784 white

Enveloping WC lid in thermo-hardening material, hinge with slow-closing device.

Code 32000785 white





LOTUS

LOTUS

Floor-standing back-to-wall monobloc sanitary ware in white ceramic

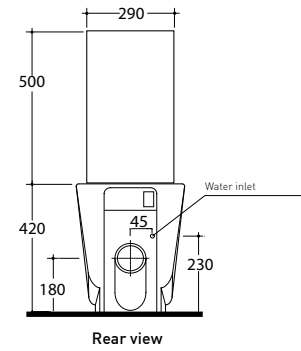
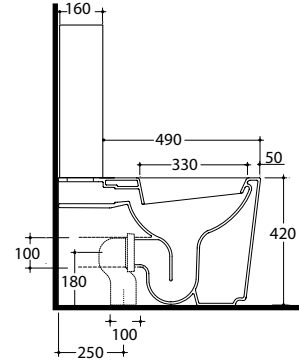
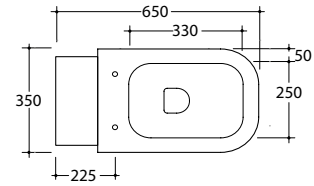


03.2018

Monobloc WC with white "F/W" universal drain, which can be adapted using a technical elbow (not included). Fixing included.

W	D	H	Code	Colour
35	65	42	32000517	White Ceramic

The WC comes complete with white ceramic flush tank measuring 29x16xH.50 cm and dual-flow system anti-condensation inner plastic flush tank.



Enveloping WC lid in thermo-hardening material, white.

Code 32000446

Enveloping WC lid in thermo-hardening material, hinge with slow-closing device, white.

Code 32000447



Connection for wall drain.

Code 32000467



Technical "S" elbow for floor drain.
With fixing kit

Code 32000469



MUSA

MUSA

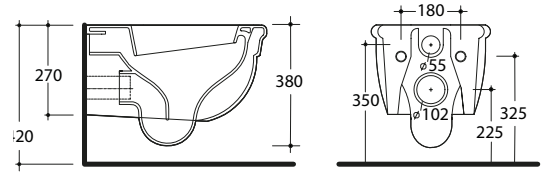
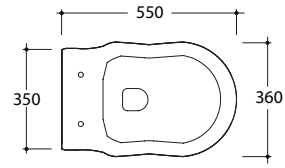
Wall-mounted sanitary ware in black or white ceramic



03.2018

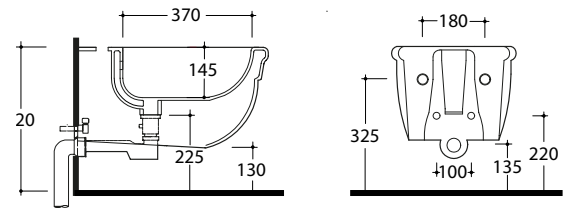
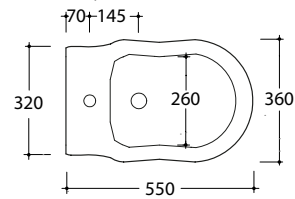
Wall-mounted bidet + fixing kit.

W	D	H	Code	Colour
36	55	29	32002642	White Ceramic
36	55	29	32002643	Black ceramic



Wall-mounted WC + fixing kit.

W	D	H	Code	Colour
36	55	29	32002370	White Ceramic
36	55	29	32002371	Black ceramic



WC lid in resin with hinge with slow-closing device.	chrome hinges	gold hinges	bronze hinges
white	Code 32004741	Code 32004742	Code 32004740
black	Code 32004744	Code 32004745	Code 32004743
walnut finish wood	Code 32004747	Code 32004748	Code 32004746



Connection for wall drain.
Code 32000467



Fixing bracket for wall-mounted WC and bidet.
Code 32000466



MUSA

MUSA

Floor-standing sanitary ware in black or white ceramic

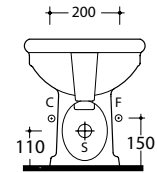
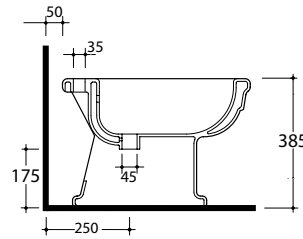
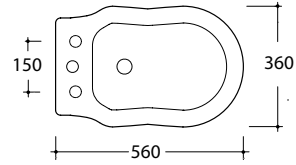


03.2018

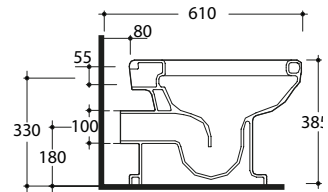
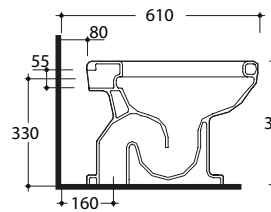
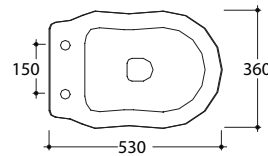
SCAVOLINI

31

Floor-standing single hole bidet (set up for three holes) + fixing kit				
W	D	H	Code	Colour
36	55	39	32002378	White Ceramic
36	55	39	32002379	Black ceramic



Floor-standing WC with "F/W" drain + fixing kit					
W	D	H	Code	Colour	
36	55	39	32002374	White Ceramic	"F" drain
36	55	39	32002376	White Ceramic	"W" drain
36	55	39	32002375	Black ceramic	"F" drain
36	55	39	32002377	Black ceramic	"W" drain



WC lid in resin with hinge with slow-closing device.	chrome hinges	gold hinges	bronze hinges
white	Code 32004741	Code 32004742	Code 32004740
black	Code 32004744	Code 32004745	Code 32004743
walnut finish wood	Code 32004747	Code 32004748	Code 32004746



Connection for wall drain.
Code 32000467



MUSA

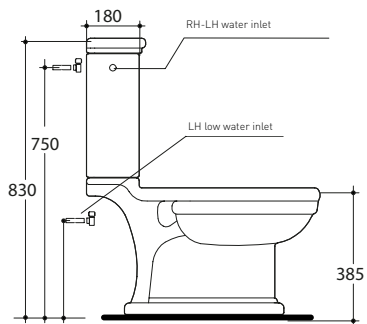
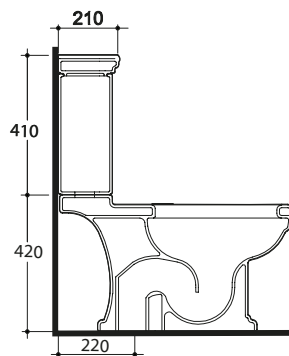
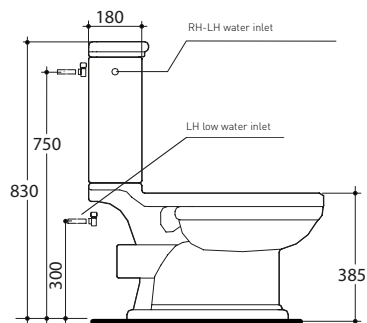
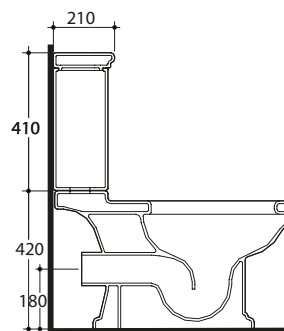
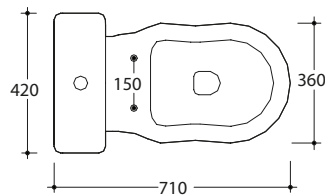
MUSA

Monobloc sanitary ware in black or white ceramic



03.2018

Floor-standing monobloc WC + fixing kit.					
W	D	H	Code	Colour	
36	71	83	32002515	White Ceramic	"F" drain
36	71	83	32002513	White Ceramic	"W" drain
36	71	83	32002516	Black ceramic	"F" drain
36	71	83	32002514	Black ceramic	"W" drain



WC lid in resin with hinge with slow-closing device.	chrome hinges	gold hinges	bronze hinges
white	Code 32004741	Code 32004742	Code 32004740
black	Code 32004744	Code 32004745	Code 32004743
walnut finish wood	Code 32004747	Code 32004748	Code 32004746



Connection for wall drain.
Code 32000467



MUSA

MUSA

Floor-standing sanitary ware in black or white ceramic with high flush tank.



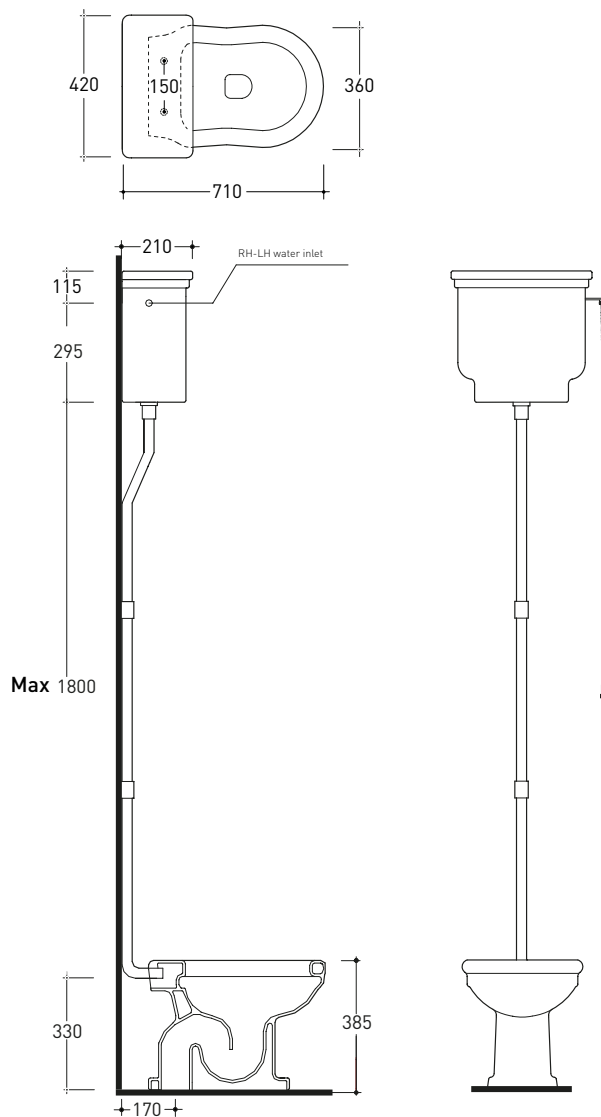
03.2018

SCAVOLINI

35

Floor-standing WC with high flush tank and lid.

W	D	H	Code	Colour	
36	71	254	32002517	White Ceramic	Flush valve assembly, ceramic pull, chrome chain, chrome-finish drain pipe
36	71	254	32002520	Black ceramic	Flush valve assembly, ceramic pull, chrome chain, chrome-finish drain pipe
36	71	254	32002518	White Ceramic	Flush valve assembly, ceramic pull, gold chain, gold drain pipe
36	71	254	32002521	Black ceramic	Flush valve assembly, ceramic pull, gold chain, gold drain pipe
36	71	254	32002519	White Ceramic	Flush valve assembly, ceramic pull, bronze chain, bronze drain pipe
36	71	254	32002522	Black ceramic	Flush valve assembly, ceramic pull, bronze chain, bronze drain pipe



WC lid in resin with hinge with slow-closing device.	chrome hinges	gold hinges	bronze hinges
white	Code 32004741	Code 32004742	Code 32004740
black	Code 32004744	Code 32004745	Code 32004743
walnut finish wood	Code 32004747	Code 32004748	Code 32004746



SWAN

SWAN

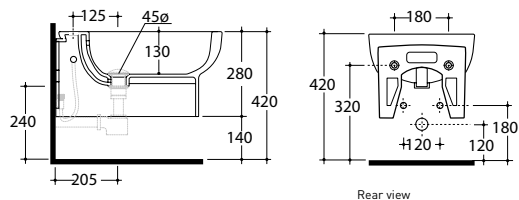
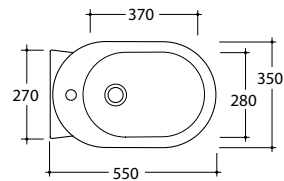
Wall-mounted sanitary ware in white ceramic



03.2018

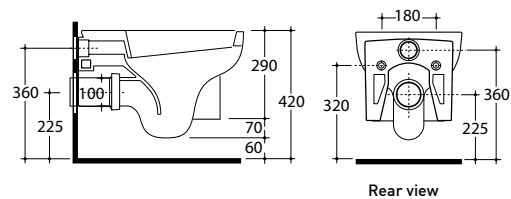
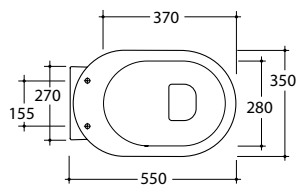
Wall-mounted single hole bidet. Fixing included.
Available with golden, bronzed or chrome-finish overflow ring nut, upon request.

W	D	H	Code	Colour
35	55	28	32002776	White Ceramic



Wall-mounted WC. Fixing included.

W	D	H	Code	Colour
35	55	28	32000457	White Ceramic



Enveloping WC lid in thermo-hardening material.

Code 32000462 white

Enveloping WC lid in thermo-hardening material, hinge with slow-closing device.

Code 32000463 white



Connection for wall drain.

Code 32000467



Fixing bracket for wall-mounted WC and bidet.

Code 32000466



SWAN

SWAN

Wall-mounted sanitary ware in white ceramic



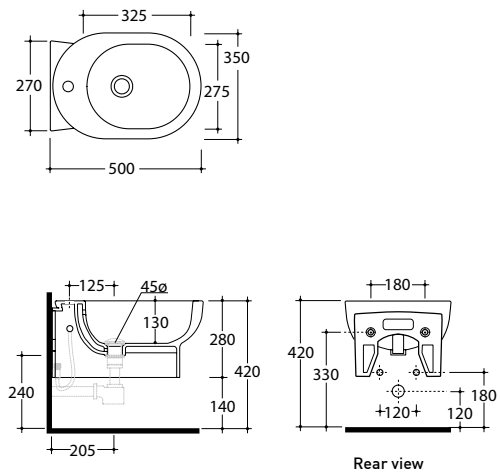
03.2018

SCAVOLINI

39

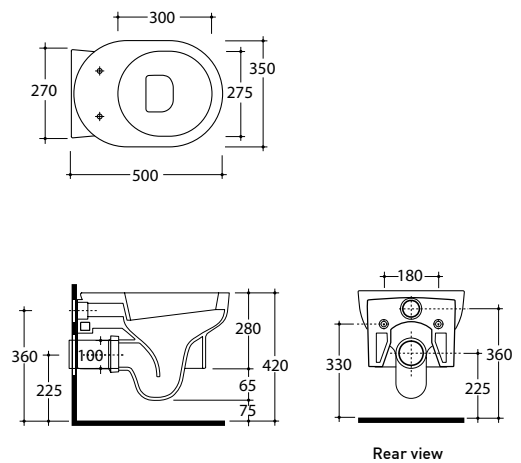
Wall-mounted single hole bidet. Fixing included.
Available with golden, bronzed or chrome-finish overflow ring nut, upon request.

W	D	H	Code	Colour
35	50	28	32002773	White Ceramic



Wall-mounted WC. Fixing included.

W	D	H	Code	Colour
35	50	28	32000451	White Ceramic



Enveloping WC lid in thermo-hardening material.	
Code 32000464	white

Enveloping WC lid in thermo-hardening material, hinge with slow-closing device.	
Code 32000465	white



Connection for wall drain.	
Code 32000467	



Fixing bracket for wall-mounted WC and bidet.	
Code 32000466	



SWAN

SWAN

Floor-standing back-to-wall sanitary ware in white ceramic



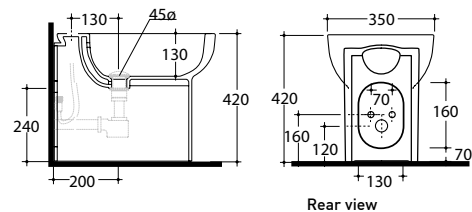
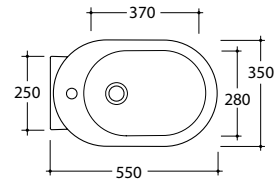
03.2018

SCAVOLINI

41

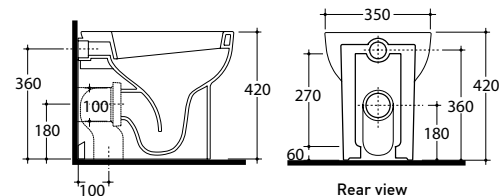
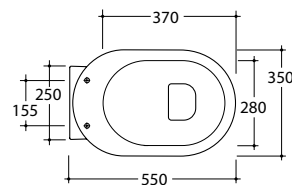
Single hole bidet. Fixing included.
Available with golden, bronzed or chrome-finish overflow ring nut, upon request.

W	D	H	Code	Colour
35	55	42	32002774	White Ceramic



WC measuring 55x35xH.42 cm with "F/W" universal drain, which can be adapted using a technical elbow (not included). Fixing included.

W	D	H	Code	Colour
35	55	42	32000453	White Ceramic



Enveloping WC lid in thermo-hardening material.

Code 32000462 white

Enveloping WC lid in thermo-hardening material, hinge with slow-closing device.

Code 32000463 white



Connection for wall drain.

Code 32000467



Technical "S" elbow for floor drain.
With fixing kit

Code 32000469



SWAN

SWAN

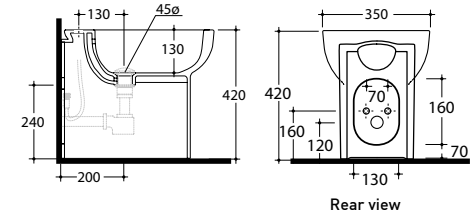
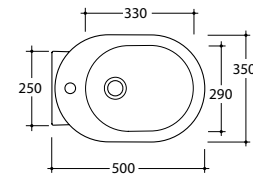
Floor-standing back-to-wall sanitary ware in white ceramic



03.2018

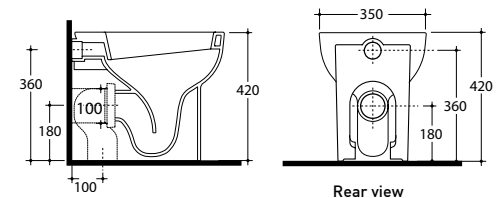
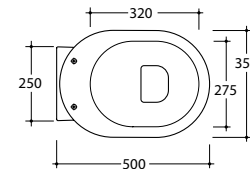
Single hole bidet. Fixing included.
Available with golden, bronzed or chrome-finish overflow ring nut, upon request.

W	D	H	Code	Colour
35	50	42	32002772	White Ceramic



WC with "F/W" universal drain, which can be adapted using a technical elbow (not included). Fixing included.

W	D	H	Code	Colour
35	50	42	32000449	White Ceramic



Enveloping WC lid in thermo-hardening material.

Code 32000464 white

Enveloping WC lid in thermo-hardening material, hinge with slow-closing device.

Code 32000465 white



Connection for wall drain.

Code 32000467



Technical "S" elbow for floor drain.
With fixing kit

Code 32000469



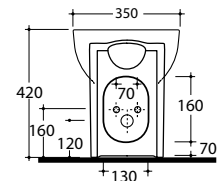
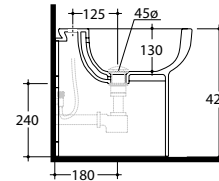
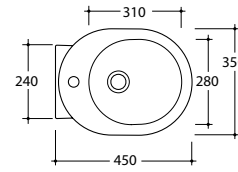
SWAN

Floor-standing back-to-wall sanitary ware in white ceramic



Single hole bidet. Fixing included.
Available with golden, bronzed or chrome-finish overflow ring nut, upon request.

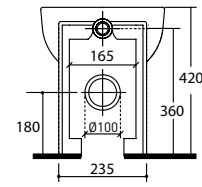
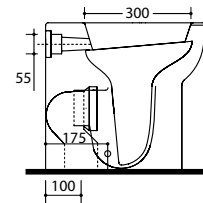
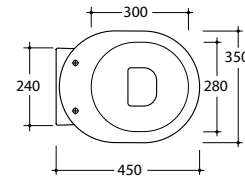
W	D	H	Code	Colour
35	45	42	32002775	White Ceramic



Rear view

WC with "F/W" universal drain, which can be adapted using a technical elbow (not included). Fixing included.

W	D	H	Code	Colour
35	45	42	32000455	White Ceramic



Rear view



Enveloping WC lid in thermo-hardening material.

Code 32000734 white

Enveloping WC lid in thermo-hardening material, hinge with slow-closing device.

Code 32000735 white



Connection for wall drain.

Code 32000467



Technical "S" elbow for floor drain.
With fixing kit

Code 32000469





SWAN

SWAN

Floor-standing back-to-wall sanitary ware in white ceramic

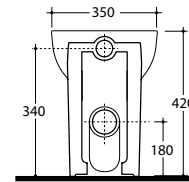
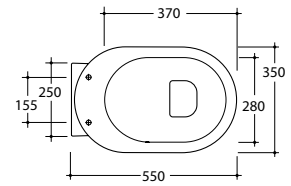


03.2018

Shifted WC: a new technical solution to facilitate refurbishment work.

WC with shifted drain.

W	D	H	Code	Colour
35	55	42	32000458	White Ceramic



Rear view

Technical floor drain "S" elbow adjustable from 6 cm to 14 cm.

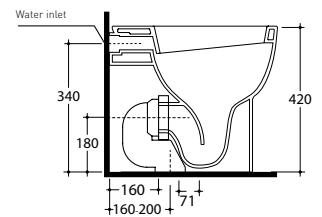
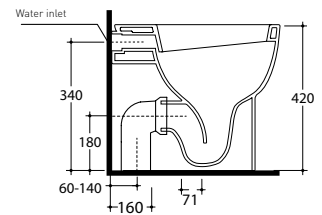
Code 32000468

Technical floor drain "S" elbow adjustable from 16 cm to 20 cm.

Code 32000470



Range between 60 mm and 200 mm



Enveloping WC lid in thermo-hardening material.

Code 32000462

white

Enveloping WC lid in thermo-hardening material, hinge with slow-closing device.

Code 32000463

white





SWAN

SWAN

Floor-standing back-to-wall monobloc sanitary ware in white ceramic

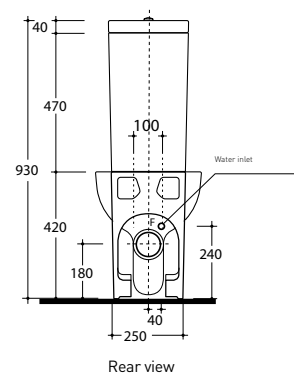
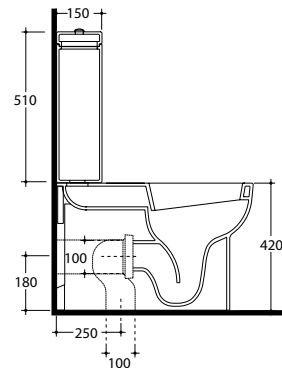
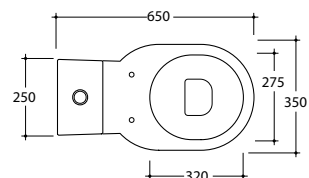


03.2018

Monobloc WC with "F/W" universal drain, which can be adapted using a technical elbow (not included). Fixing included.

W	D	H	Code	Colour
35	65	42	32000518	White Ceramic

The WC comes complete with white ceramic flush tank measuring 25x15xH.50 cm and type G dual-flow drain mechanism.



Rear view



Enveloping WC lid in thermo-hardening material.

Code 32000464 white

Enveloping WC lid in thermo-hardening material, hinge with slow-closing device.

Code 32000465 white



Connection for wall drain.

Code 32000467



Technical "S" elbow for floor drain.
With fixing kit

Code 32000469



SHOWER TRAYS

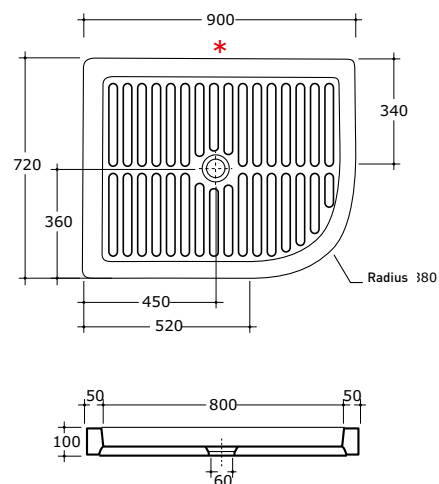
in ceramic

ARCOS

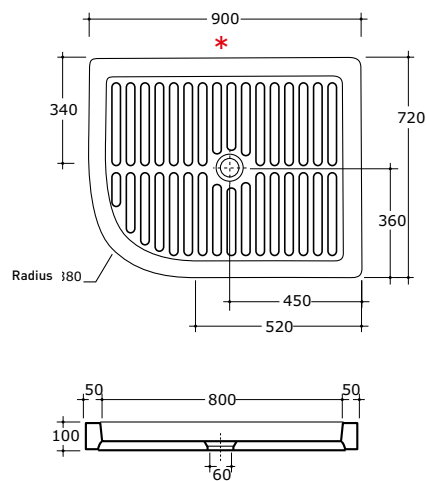
Shower tray in white ceramic



Shower tray with right-hand curve, floorboard upon request				
W	D	H	Code	Colour
90	72	10	32000485	White Ceramic



Shower tray with left-hand curve, floorboard upon request				
W	D	H	Code	Colour
90	72	10	32000486	White Ceramic



Wooden floorboard for shower tray with RH curve measuring 78x58 cm.

Code 32000487



Wooden floorboard for shower tray with LH curve measuring 78x58 cm.

Code 32000488

* Side not enamelled

Shower trays must be completed with the waste/siphon \varnothing 0.6. The waste is sold separately.

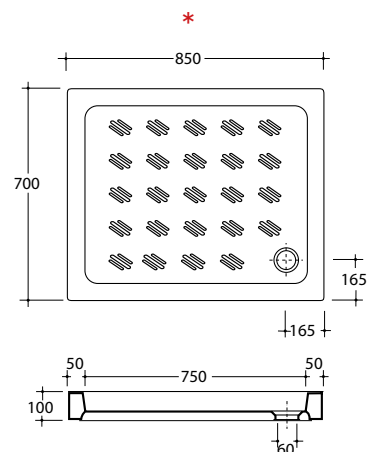
ÉTAGE

ÉTAGE

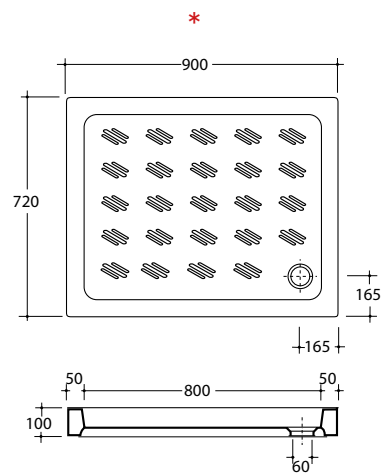
Shower tray in white ceramic



Shower tray, with non-slip decoration.				
W	D	H	Code	Colour
85	70	10	32002633	White Ceramic



Shower tray, with non-slip decoration.				
W	D	H	Code	Colour
90	72	10	32002632	White Ceramic



* Side not enamelled

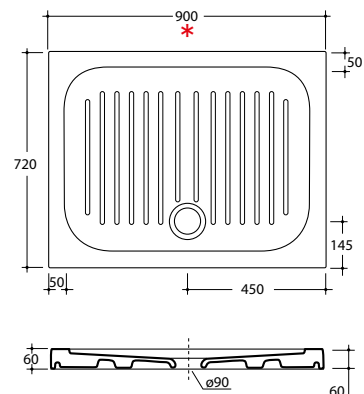
Shower trays must be completed with the waste/siphon \varnothing 0.6. The waste is sold separately.

GEOMETRICAL GEOMETRICAL

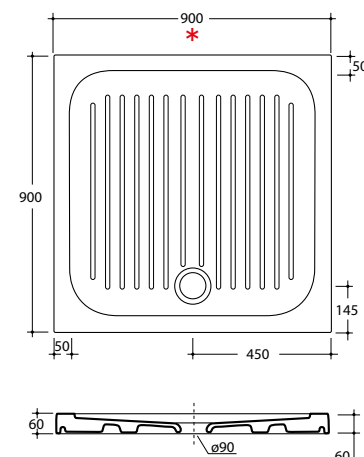
Shower tray in white ceramic



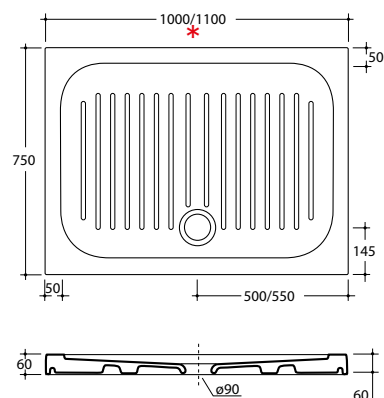
Shower tray, with non-slip decoration.				
W	D	H	Code	Colour
90	72	6	32000471	White Ceramic



Shower tray, with non-slip decoration.				
W	D	H	Code	Colour
90	90	6	32000472	White Ceramic



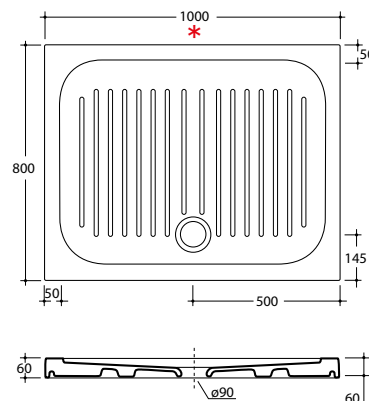
Shower tray, with non-slip decoration.				
W	D	H	Code	Colour
100	75	6	32000473	White Ceramic
110	75	6	32000474	White Ceramic



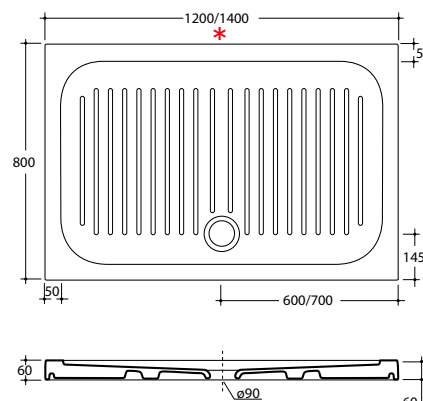
* Side not enamelled

Shower trays must be completed with the waste/siphon \varnothing 0.9. The waste is sold separately.

Shower tray, with non-slip decoration.				
W	D	H	Code	Colour
100	80	6	32000475	White Ceramic



Shower tray, with non-slip decoration.				
W	D	H	Code	Colour
120	80	6	32000476	White Ceramic
140	80	6	32000477	White Ceramic



* Side not enamelled

Shower trays must be completed with the waste/siphon \varnothing 0.9. The waste is sold separately.



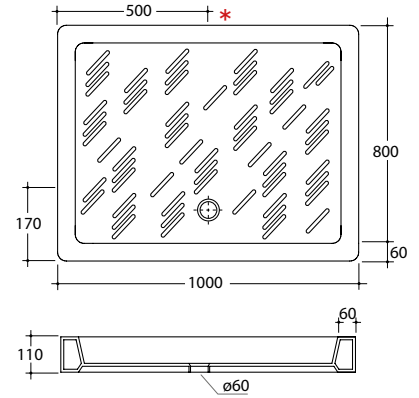
• GLISSER

GLISSER

Shower tray in white ceramic



Shower tray, with non-slip decoration.				
W	D	H	Code	Colour
100	80	11	32002630	White Ceramic



* Side not enamelled

Shower trays must be completed with the waste/siphon $\varnothing 0.6$. The waste is sold separately.



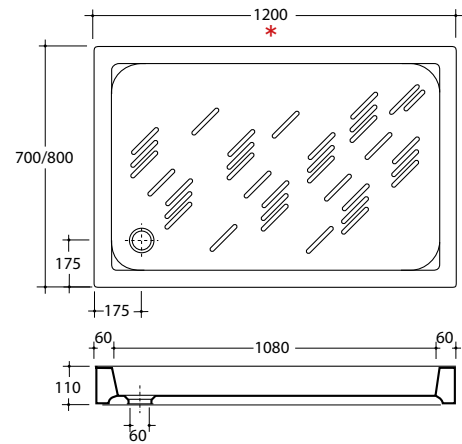
MAJOR

MAJOR

Shower tray in white ceramic



Shower tray, with non-slip decoration.				
W	D	H	Code	Colour
120	70	11	32002628	White Ceramic
120	80	11	32002629	White Ceramic



* Side not enamelled

Shower trays must be completed with the waste/siphon \varnothing 0.6. The waste is sold separately.



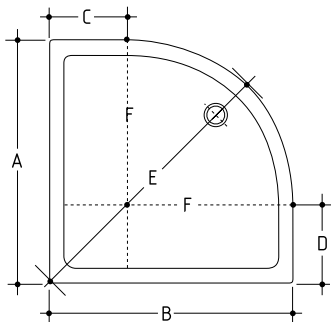
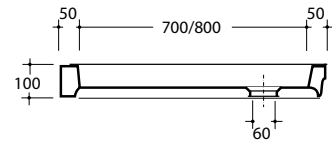
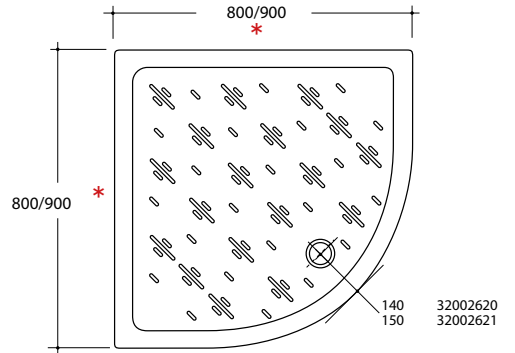
NOOK

NOOK

Shower tray in white ceramic



Shower tray, with non-slip decoration.				
W	D	H	Code	Colour
80	80	10	32002620	White Ceramic
90	90	10	32002621	White Ceramic



Radius of curvature of corner shower trays

F: Radius of curvature

	A	B	C	D	E	F
Nook 80	800	800	250	250	900	550
Nook 90	900	900	350	350	1020	550

* Side not enamelled

Shower trays must be completed with the waste/siphon \varnothing 0.6. The waste is sold separately.



PLATO'

PLATO'

Shower tray in white ceramic

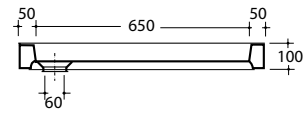
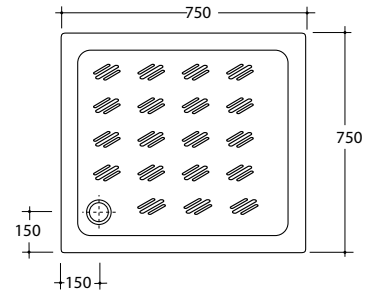


03.2018

SCAVOLINI

65

Shower tray, with non-slip decoration.				
W	D	H	Code	Colour
75	75	10	32002624	White Ceramic
80	80	10	32002625	White Ceramic



* Side not enamelled

Shower trays must be completed with the waste/siphon \varnothing 0.6. The waste is sold separately.



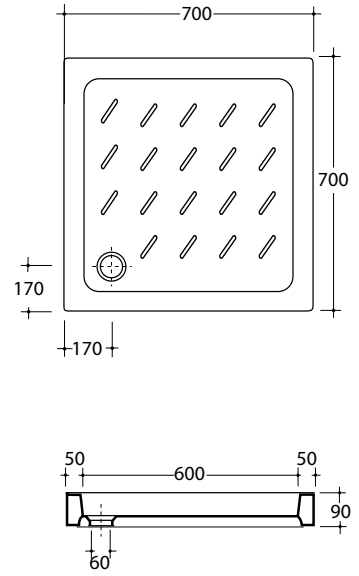
• QUAD

QUAD

Shower tray in white ceramic



Shower tray, with non-slip decoration.				
W	D	H	Code	Colour
70	70	9	32002627	White Ceramic



* Side not enamelled

Shower trays must be completed with the waste/siphon \varnothing 0.6. The waste is sold separately.



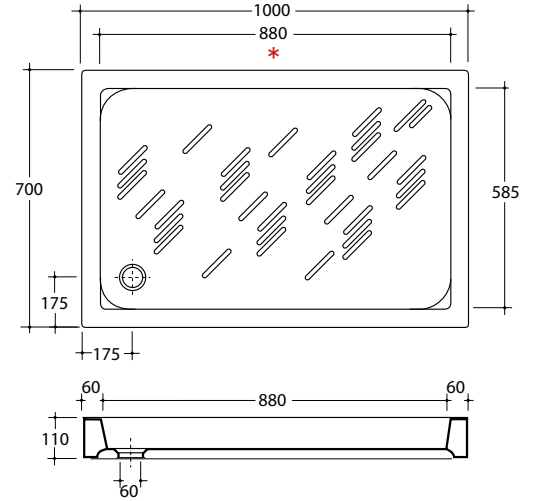
WATERFALL

WATERFALL

Shower tray in white ceramic



Shower tray, with non-slip decoration.				
W	D	H	Code	Colour
100	70	11	32002631	White Ceramic

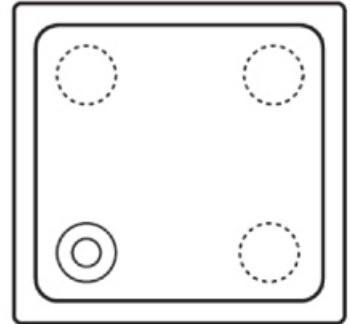


* Side not enamelled

Shower trays must be completed with the waste/siphon \varnothing 0.6. The waste is sold separately.

The long life and perfect functioning of your shower tray depend on correct installation, so we strongly recommend you follow the instructions below:

Once you have positioned the drain connection opposite the shower tray waste hole, set up some supporting points, around the perimeter and in the middle, using a little mortar or low-adhesive glue.

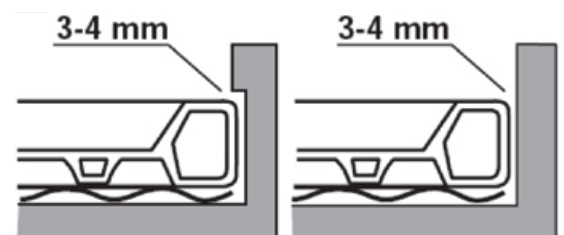


To avoid the mortar bonding with the shower tray, place simple paper or nylon sheets in between.

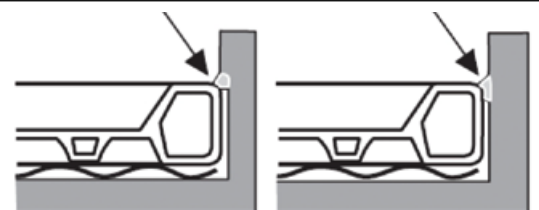


Fit the shower tray in its seat, taking into account the thickness of the wall tiling or space it 3-4 mm away from the wall tiles.

WARNING: the wall tiles must under no circumstances weigh on the edging of the shower tray, as any building shifts could break the shower tray.



Seal the grouting with mould-resistant silicone or equivalent elastic mortar.





SHOWER TRAYS

in Mineralsolid



LIFESTONE

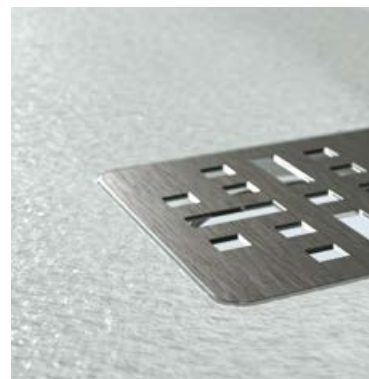
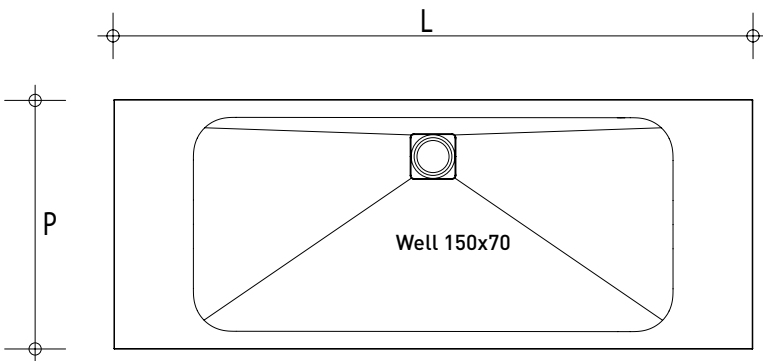
LIFESTONE

SHOWER TRAY IN MATT FINISH MINERALSOLID

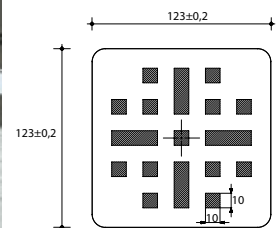


Shower tray with central well, variable width and depth

Depth from - to	Width from - to	Finish	Colour	Codes
80-90	160-250	Smooth	White	32002619
			Light grey	
			Dove Grey	
		Stone	White	32002619
			Light grey	
			Dove Grey	



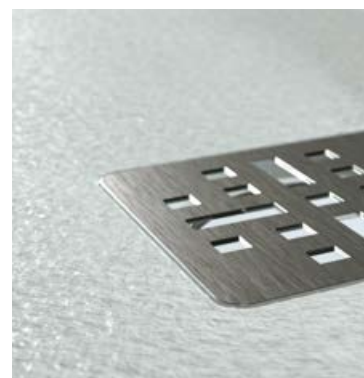
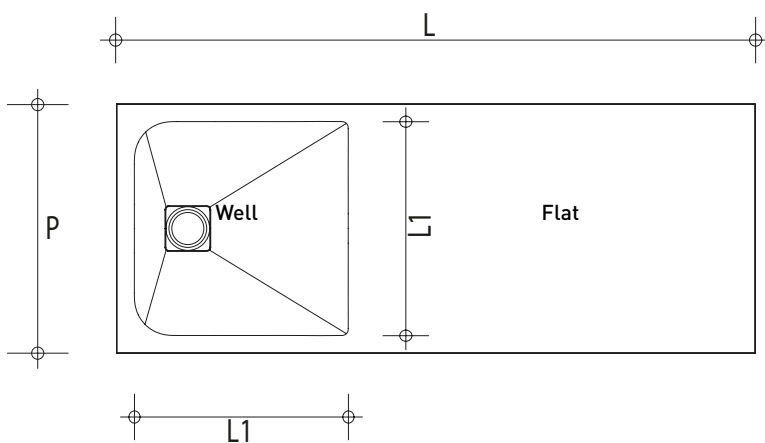
Detail of waste plug



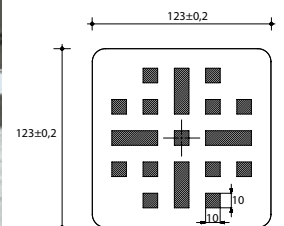
Shower trays H.3 cm must be completed with a waste. The waste is sold separately.

Shower tray with side well, variable width and depth

Width from - to	D	L1	Finish	Colour	Codes
70-250	70	60	Smooth	White	32002616
				Light grey	
				Dove Grey	
			Stone	White	32002616
				Light grey	
				Dove Grey	
80-250	80	70	Smooth	White	32002617
				Light grey	
				Dove Grey	
			Stone	White	32002617
				Light grey	
				Dove Grey	
90-250	90	80	Smooth	White	32002618
				Light grey	
				Dove Grey	
			Stone	White	32002618
				Light grey	
				Dove Grey	



Detail of waste plug



Shower trays H.3 cm must be completed with a waste. The waste is sold separately.

Mineralsolid®

Mineralsolid® is a material made up of 70% natural minerals (calcium carbonate and aluminium trihydrates) and 30% polyester resin. The gelcoat film that covers the surface of the material is a polyester acrylate which gives it a matt-effect finish. The distinguishing feature of this coating is the possibility of repairing the surface, using very fine grain abrasive paper (800-1000 grain).

Weekly cleaning of MineralSolid® ensures it retains all its original beauty and also prevents any signs of wear from appearing. To retain its characteristic matt finish, we recommend you use gel or abrasive detergents with an abrasive sponge such as Scotch Brite®.

Certain aggressive chemicals may damage the MineralSolid® surface. We advise against the use of: strong acids and alkalis (such as hydrochloric acid and caustic soda), ketones (acetone), chlorinated solvents (trichloroethylene) and products used in the paint industry.

Mineralsolid® care and maintenance

DAILY MAINTENANCE

Caring for your Mineralsolid® surface is quick and simple. Simply clean the surface with soapy water or common detergents to remove the majority of stains and dirt which may deposit on it. We particularly recommend gel, or abrasive detergents, used with an abrasive sponge such as Scotch Brite®, taking care you rinse the treated area thoroughly; this will retain the original matt finish, a distinguishing feature of Mineralsolid®

HOW TO PREVENT DAMAGE

The surface offers good resistance to stains in general; nevertheless, we advise against the use of aggressive chemicals such as acetone, trichloroethylene, strong acids or alkalis.

Some substances such as ink, cosmetics, hair dye and lit cigarettes in prolonged contact with the material may release colourants onto the Mineralsolid® surface; these can easily be removed by following the tips provided below.

REMOVING STUBBORN STAINS, SCRATCHES AND BURN MARKS

Mineralsolid® can be repaired from surface damage, such as scratches, cigarette burns and stubborn stains, restoring the surface to its original beauty simply by following these instructions: for small damaged areas, restore the surface using an abrasive sponge such as Scotch Brite® (3M registered trademark) and common abrasive detergent. If the damage is still visible, repeat the process, finishing off with very fine grain abrasive paper (800-1000 grain).

BATHTUBS



AURA

RECTANGULAR FREE-STANDING BATHTUB IN MINERALMARMO AND SOLID



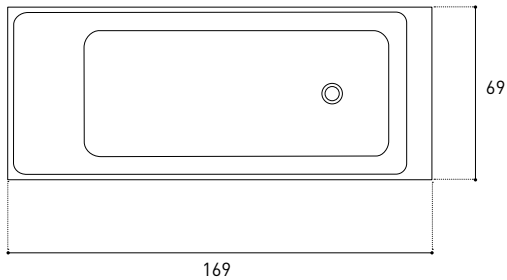
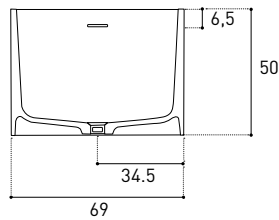
Rectangular free-standing bathtub

In Mineralmarmo for the glossy finish, in Solid for the matt finish

Can be positioned in the centre of the room and beside walls. Finished on all four external sides.

Width	Depth	Height	Code	Material	Bathtub weight	Capacity*	Colour
169	69	50	32000515	Glossy finish Mineralmarmo	133 kg	approx. 310 litres	White
169	69	50	32000516	Matt finish Solid	181 kg	approx. 310 litres	White

*Considering the capacity limit at overflow level



Bathtubs must be completed with the waste and drain kit, which are sold separately.



DEA

FREE-STANDING FIBREGLASS BATHTUB

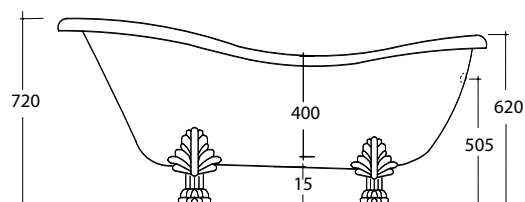
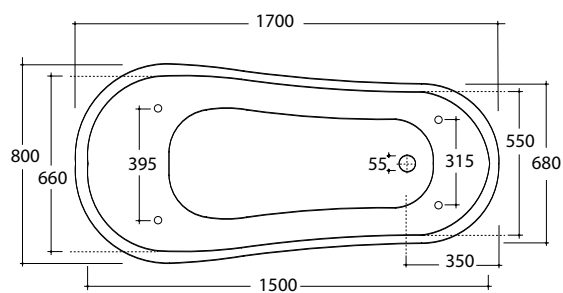


03.2018

Fibreglass bathtub, complete with drain column and feet.
Can be positioned in the centre of the room

Bathtub colour	Feet finish	Drain finish	Codes	Depth	Width	Height	Bathtub weight	Capacity*	
white	chrome-finish	chrome-finish	32002358	80	170	72	60 kg	approx. 165 litres	
	bronzed	bronzed	32002359						
	golden	golden	32002360						
	white	chrome-finish	chrome-finish						32002361
		bronzed	bronzed						32002362
		golden	golden						32002363
black	chrome-finish	chrome-finish	32002364	80	170	72	60 kg	approx. 165 litres	
	bronzed	bronzed	32002365						
	golden	golden	32002366						
	white	chrome-finish	chrome-finish						32002367
		bronzed	bronzed						32002368
		golden	golden						32002369

*Considering the capacity limit at overflow level



Bathtubs must be completed with the waste and drain kit, which are sold separately.





KAMI

KAMI

OVAL FREE-STANDING BATHTUB IN MINERALMARMO AND SOLID



03.2018

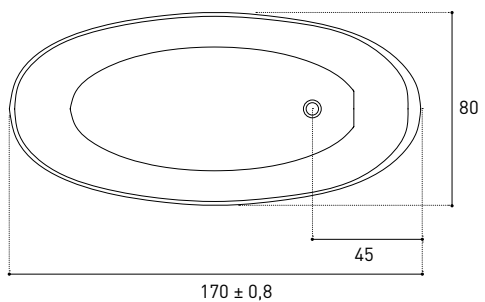
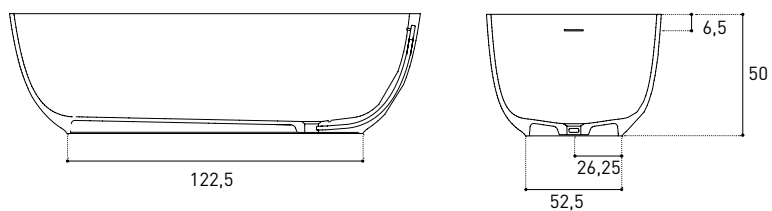
SCAVOLINI

81

Oval free-standing bathtub
Can be positioned in the centre of the room.

Width	Depth	Height	Code	Material	Bathtub weight	Capacity*	Colour
170	80	50	32000513	Glossy finish Mineralmarmo	75 kg	approx. 313 litres	White
170	80	50	32000514	Matt finish Solid	102 kg	approx. 313 litres	White

*Considering the capacity limit at overflow level



Bathtubs must be completed with the waste and drain kit, which are sold separately.



Rectangular built-in bathtub							
W	D	H	Code	Material	Bathtub weight	Capacity*	Colour
150	75	59	32003595		40 kg	approx. 155 litres	
170	70	65	32003596		45 kg	approx. 240 litres	
180	80	64	32003597		70 kg	approx. 340 litres	
Soft headrest cushion			32003601				Black
Soft headrest cushion			32003602				White

*Considering the capacity limit at overflow level

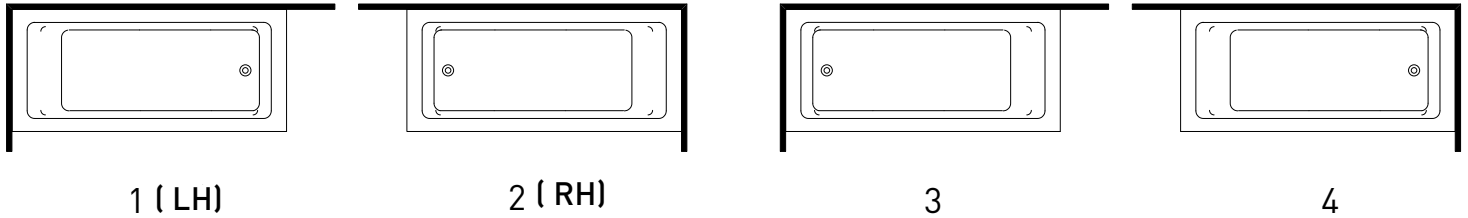
Rectangular panelled bathtub							
W	D	H	Code	Material	Bathtub weight	Capacity*	Colour
150	75	59	32003598		40 kg	approx. 155 litres	
170	70	65	32003599		45 kg	approx. 240 litres	
180	80	64	32003600		70 kg	approx. 340 litres	
Soft headrest cushion			32003601				Black
Soft headrest cushion			32003602				White

*Considering the capacity limit at overflow level

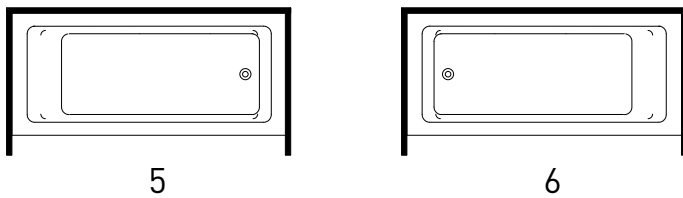


Installations available for panelled bathtub
W 150/170

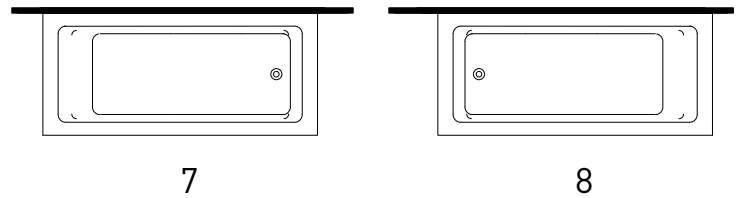
Corner installation



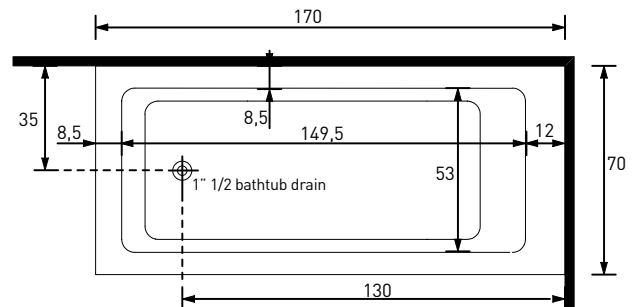
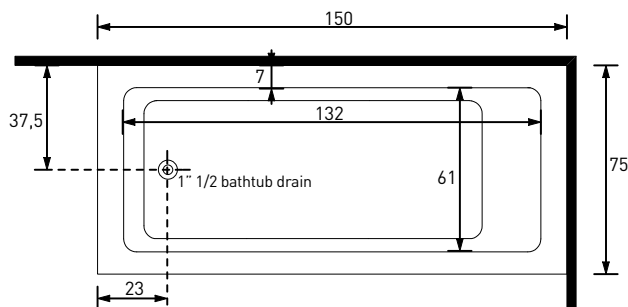
Niche installation



Wall installation

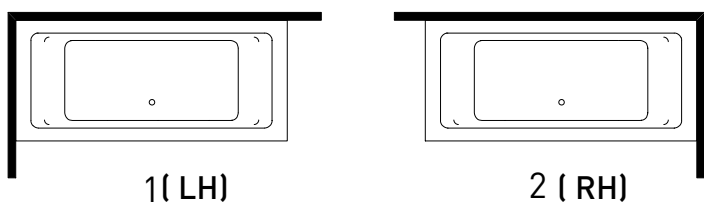


Bathtub W 150: For installations 7 and 8, choose according to the layout of plumbing and taps
Bathtub W 170: For installations 5, 6, 7 and 8, choose according to the layout of plumbing and taps



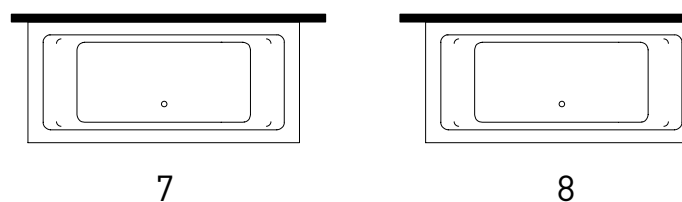
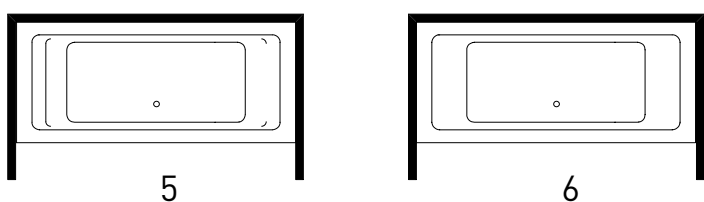
Installations available for panelled bathtub W 180

Corner installation



Niche installation

Wall installation



For installations 5, 6, 7 and 8, choose according to the layout of plumbing and taps

